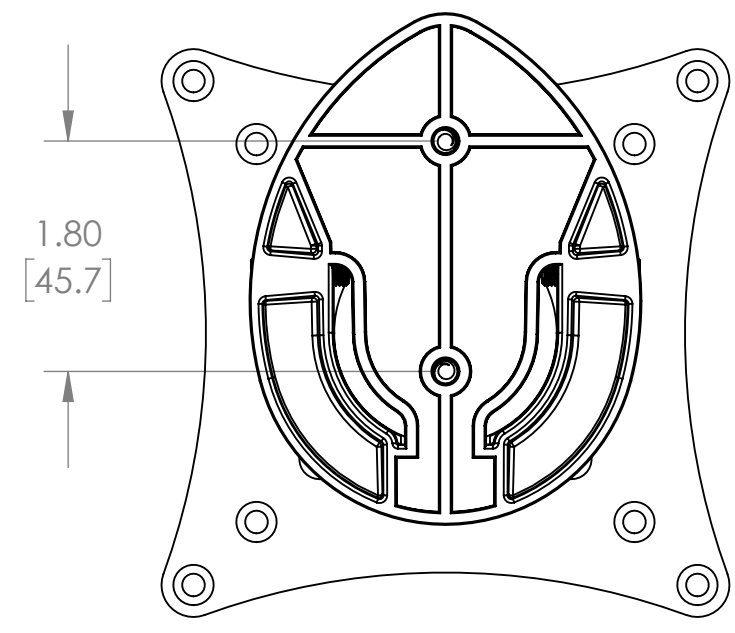
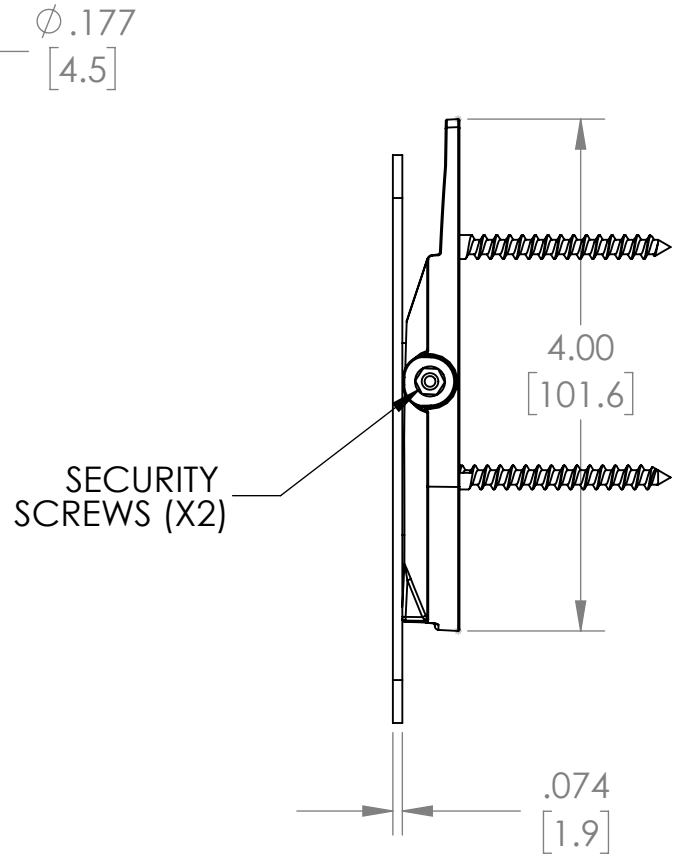
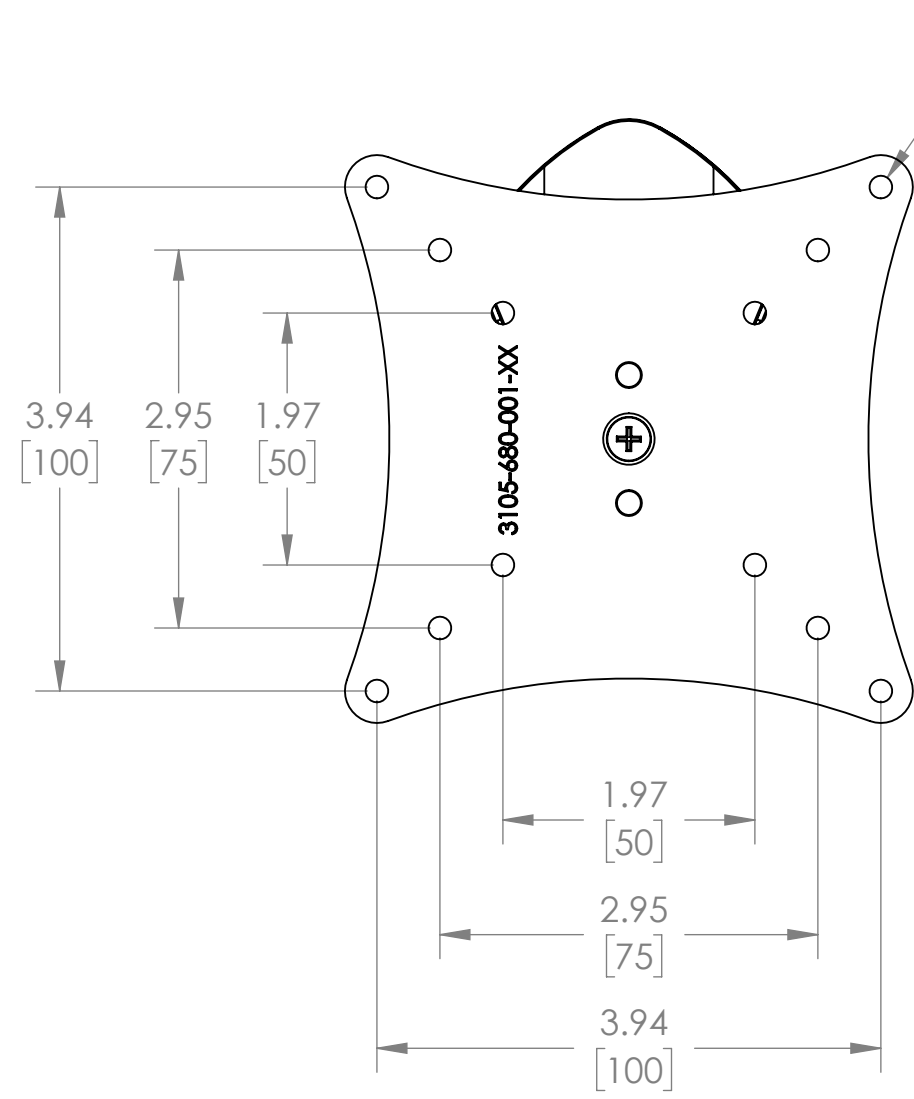
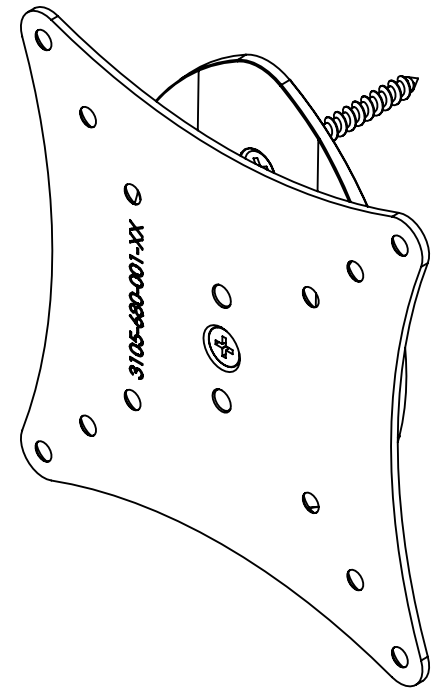
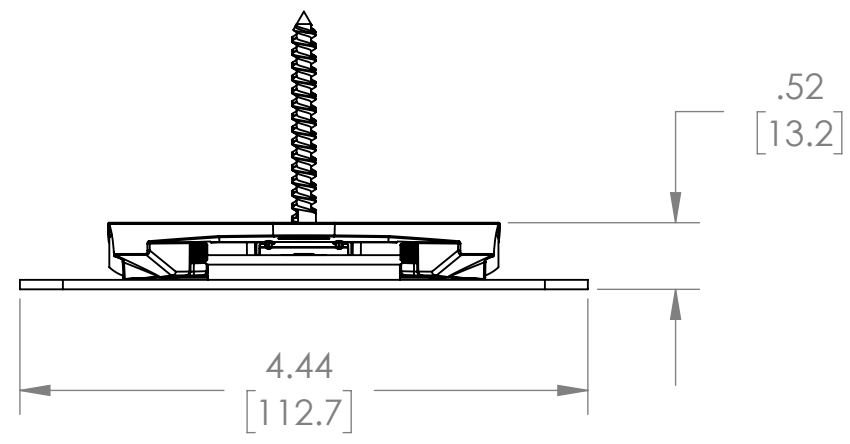


THE INFORMATION CONTAINED IN THIS DRAWING IS THE SOLE PROPERTY OF PREMIER MOUNTS DIVISION OF <PMPI> ANY REPRODUCTION IN PART OR WHOLE WITHOUT THE WRITTEN PERMISSION OF PREMIER MOUNTS DIVISION OF <PMPI> IS PROHIBITED.

D  
C  
B  
A



MOUNTS.COM

WEIGHT CAPACITY 15 LBS  
DIMENSION ARE IN INCH AND [MM]

**PREMIER MOUNTS**  
 1321 South State College Blvd  
 Fullerton Ca, 92831  
 P. 800.368.9700 - F. 800.832.4888

ITEM DESCRIPTION:  
 VESA 50/75/100 FLAT PLATE ASSY

SIZE B	DWG. NO. PRF-M
SCALE: 1:1.5	
SHEET 1 OF 1	

8 7 6 5 4 3 2 1

8 7 6 5 4 3 2 1