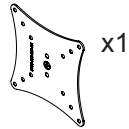
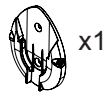


# PRF-M

## Installation Guide



VESA Plate



Back Plate



Plastic Anchors

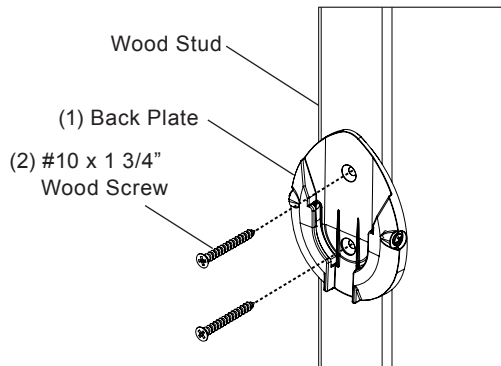


#10 x 1 3/4" Wood Screws



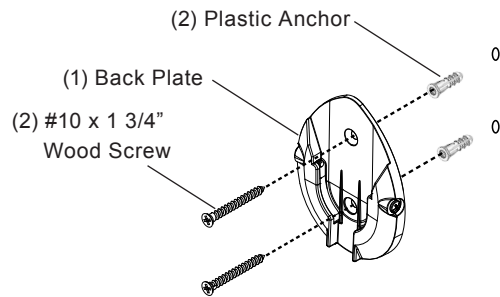
M4 x 10mm Flat Screws

### 1 Wood Stud Installation



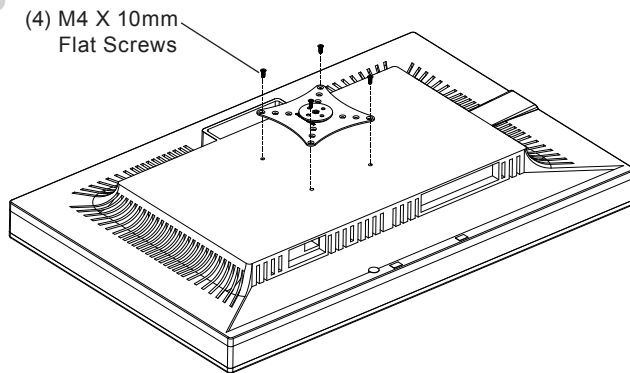
- 1) Mark the mounting locations.
- 2) Drill two (2) pilot holes on mark locations using 3/16" drill bit.
- 3) Secure the back plate to the wall using two (2) #10 x 1 3/4" wood screws.

### 2 Concrete and Drywall Installation



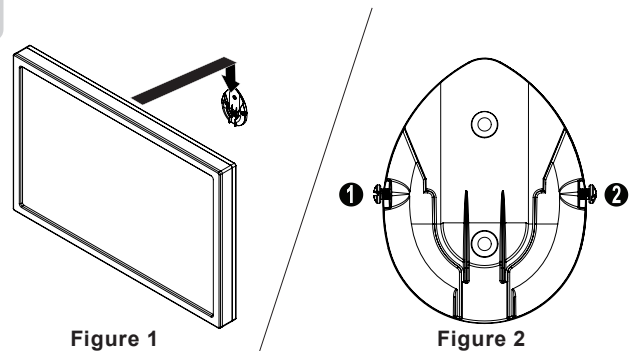
- 1) Mark the mounting locations.
- 2) Drill two (2) pilot holes on mark locations using 3/16" masonry drill bit.
- 3) Lightly hammer the plastic anchors into the wall.
- 4) Secure the back plate to the wall using two (2) #10 x 1 3/4" wood screws.

### 3



- 1) Install the VESA plate to the display using four (4) M4 x 10 flat screws.

### 4



- 1) Insert the VESA plate into the wall attached back plate shown on figure 1.
- 2) Tighten the screws on the sides of the back plate shown in figure 2 to secure the panel and lock out rotation.