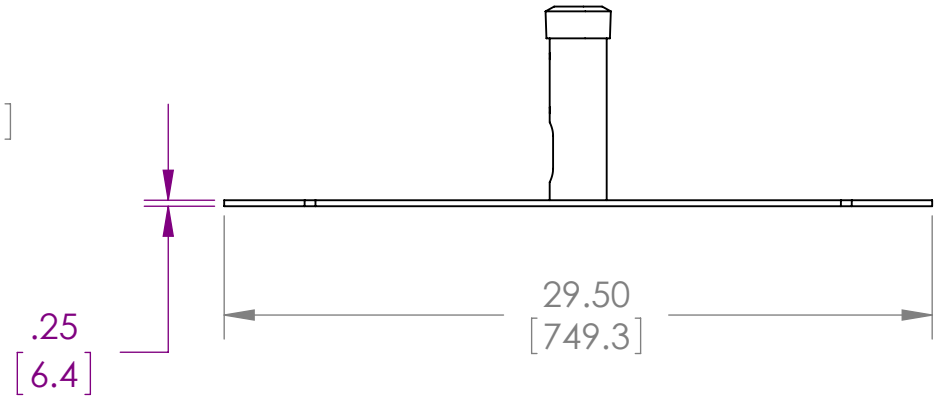
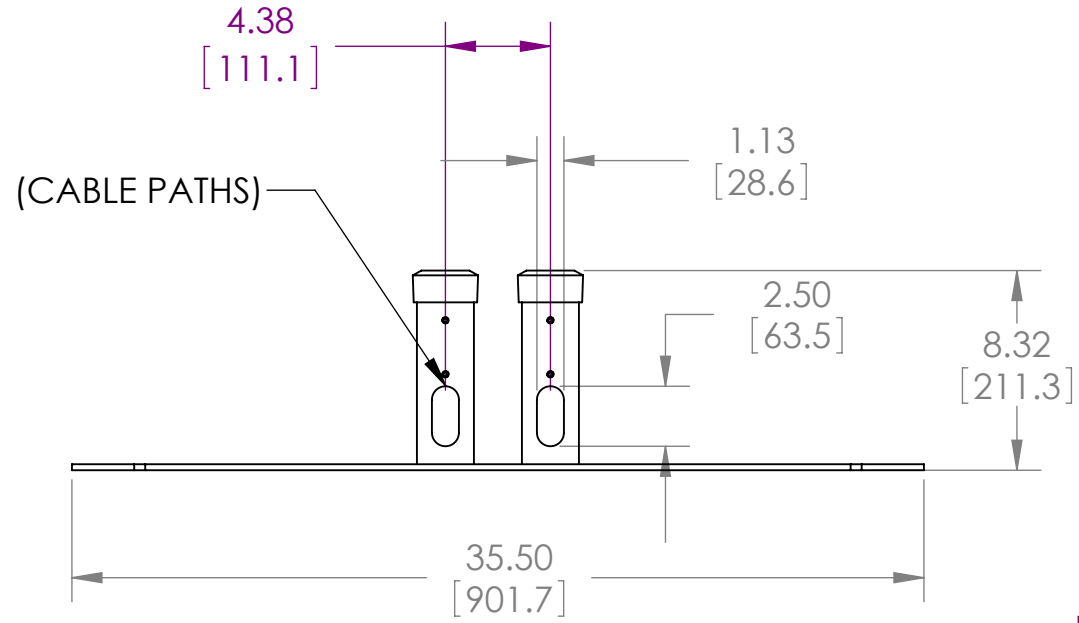
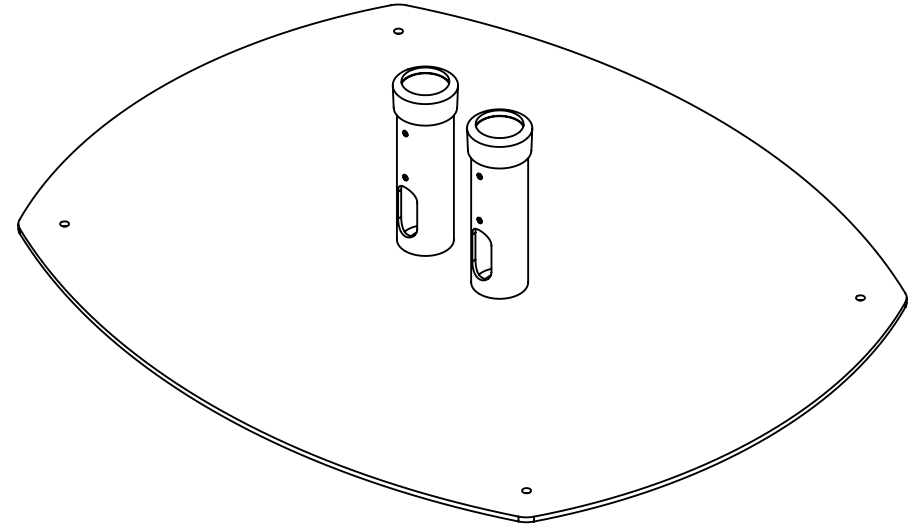
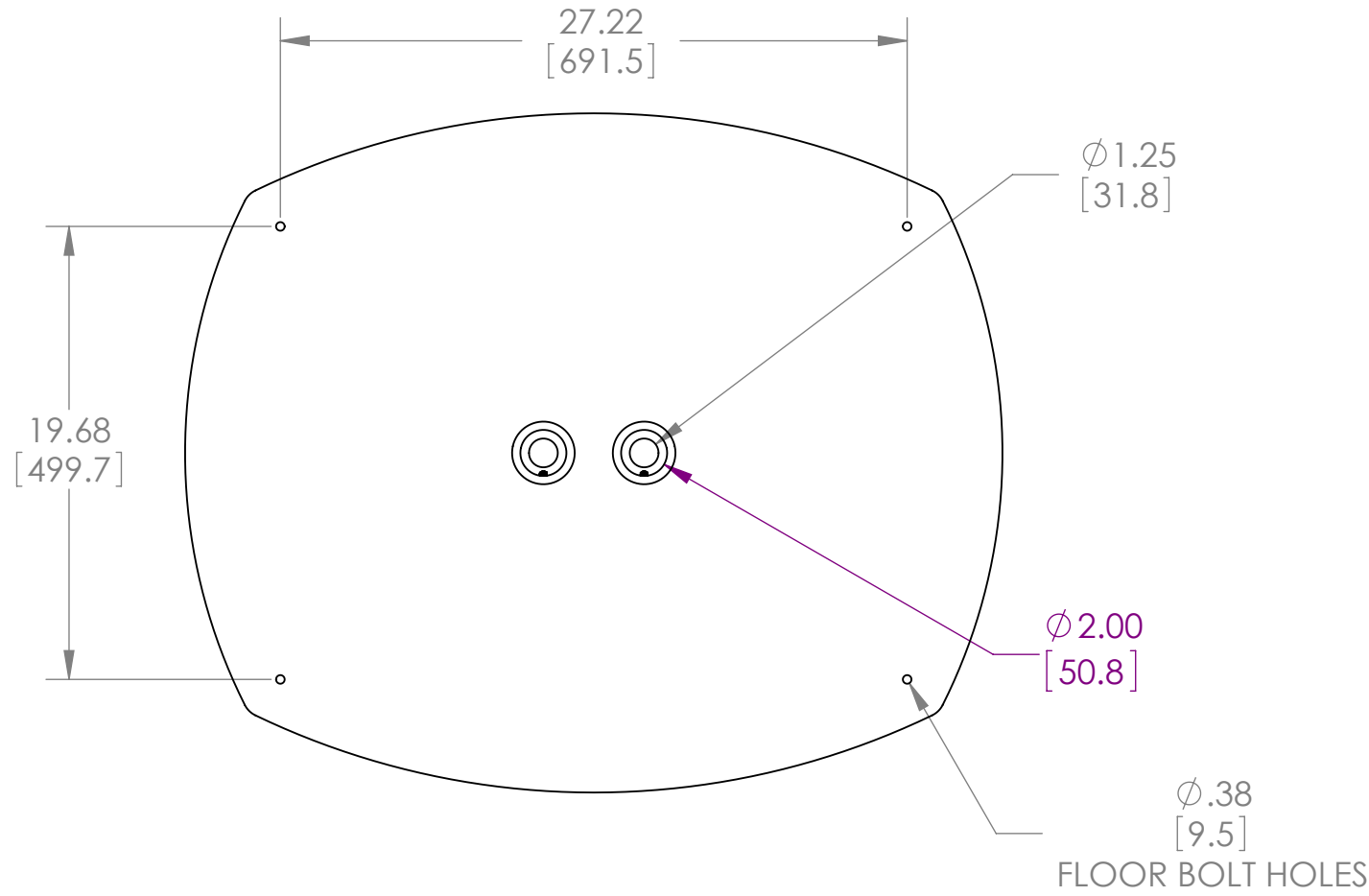


THE INFORMATION CONTAINED IN THIS DRAWING IS THE SOLE PROPERTY OF PREMIER MOUNTS DIVISION OF <PMPI> ANY REPRODUCTION IN PART OR WHOLE WITHOUT THE WRITTEN PERMISSION OF PREMIER MOUNTS DIVISION OF <PMPI> IS PROHIBITED.



WEIGHT CAPACITY: 320 LBS
DIMENSIONS ARE IN INCHES AND [MM]

MOUNTS.COM

PREMIER MOUNTS
THE ORIGINAL MOUNT COMPANY
1321 South State College Blvd
Fullerton Ca, 92831
P. 800.368.9700 - F. 800.832.4888

ITEM DESCRIPTION:
BACK TO BACK FLOOR STAND

SIZE B	DWG. NO. CS-BASE
SCALE: 1:8	SHEET 1 OF 1