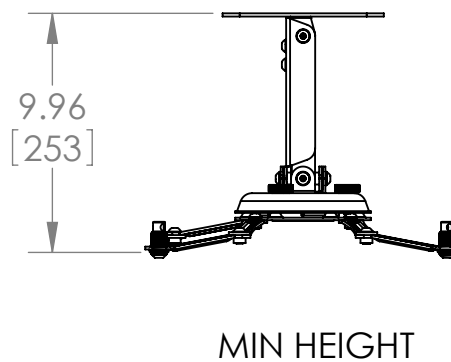
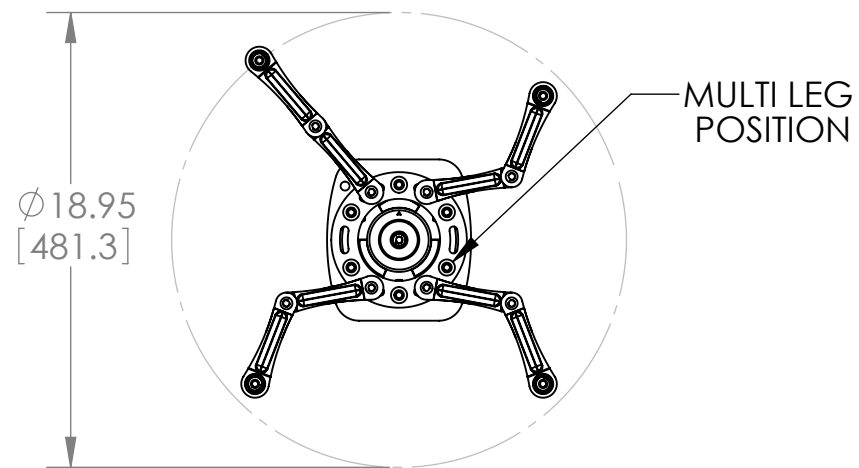
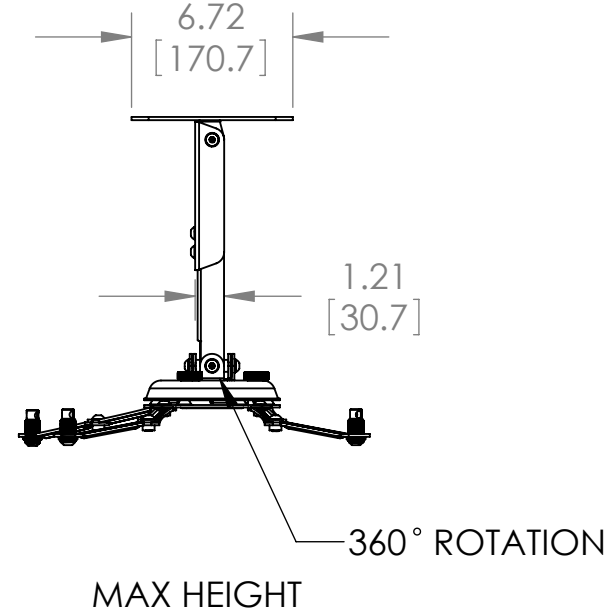
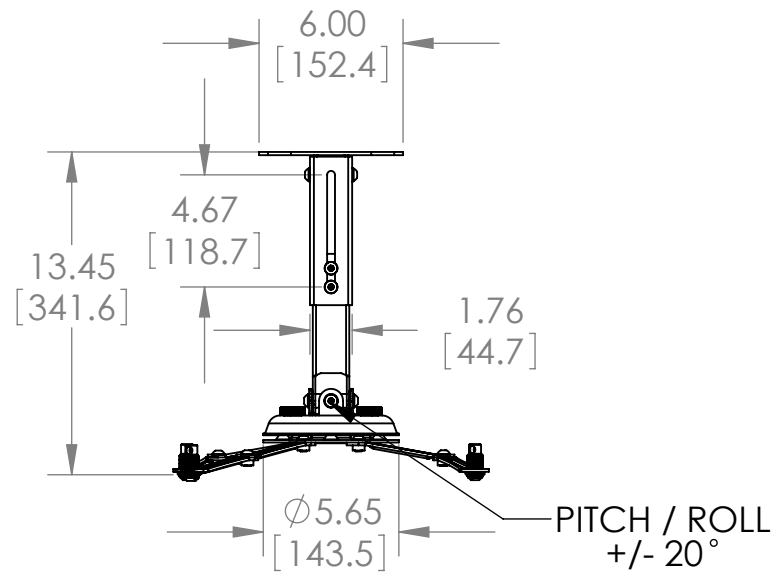
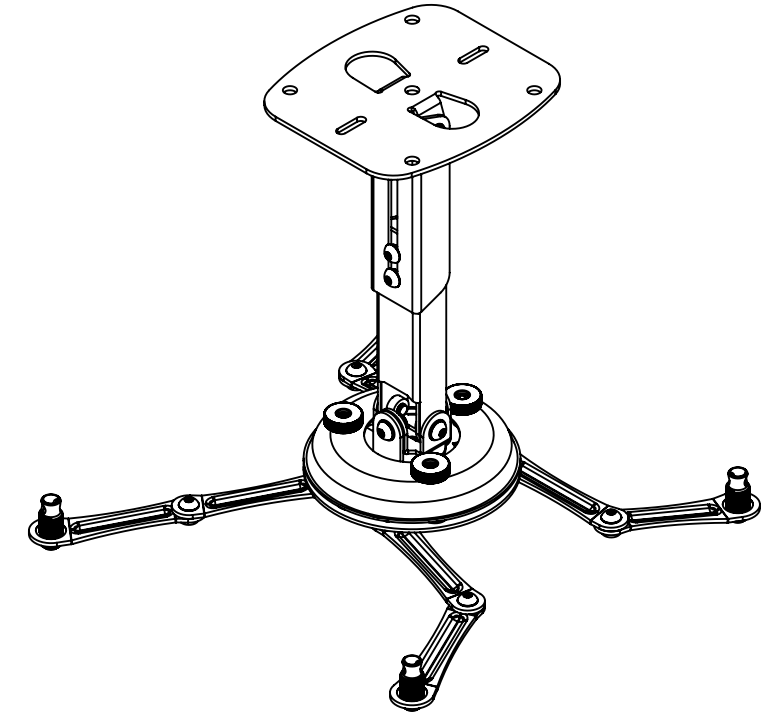
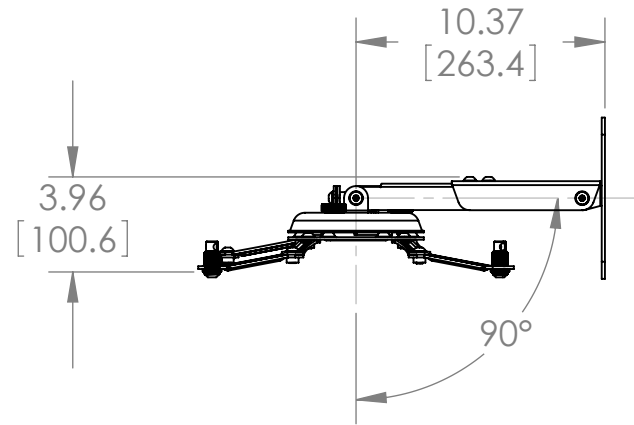
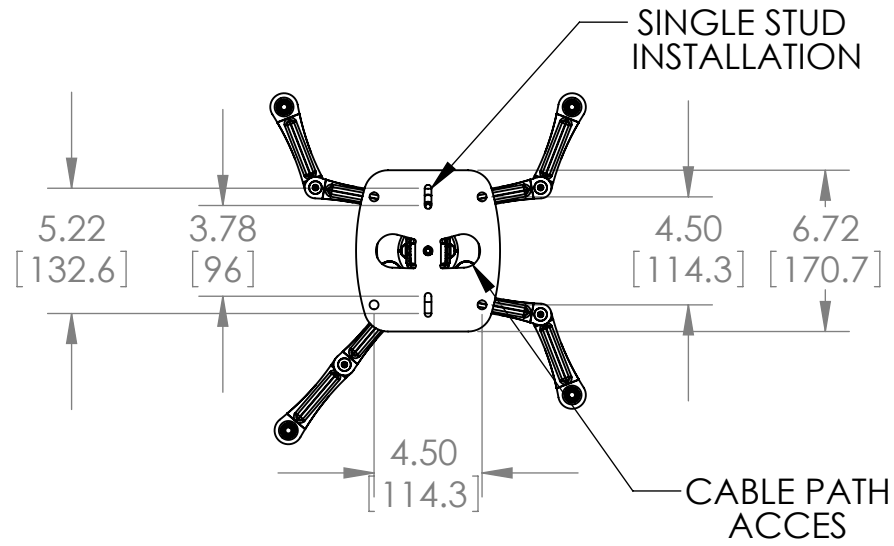


THE INFORMATION CONTAINED IN THIS DRAWING IS THE SOLE PROPERTY OF PREMIER MOUNTS DIVISION OF <PMPI> ANY REPRODUCTION IN PART OR WHOLE WITHOUT THE WRITTEN PERMISSION OF PREMIER MOUNTS DIVISION OF <PMPI> IS PROHIBITED.



WEIGHT CAPACITY: 25 LBS  
DIMENSIONS ARE IN INCHES AND [MM]

MOUNTS.COM

**PREMIER MOUNTS**  
THE ORIGINAL MOUNT COMPANY  
1321 South State College Blvd  
Fullerton Ca, 92831  
P. 800.368.9700 - F. 800.832.4888

ITEM DESCRIPTION:  
**ADJUSTABLE HEIGHT PROJECTOR MOUNT**

SIZE B DWG. NO. PBL-UMS

SCALE: 1:8

SHEET 1 OF 1