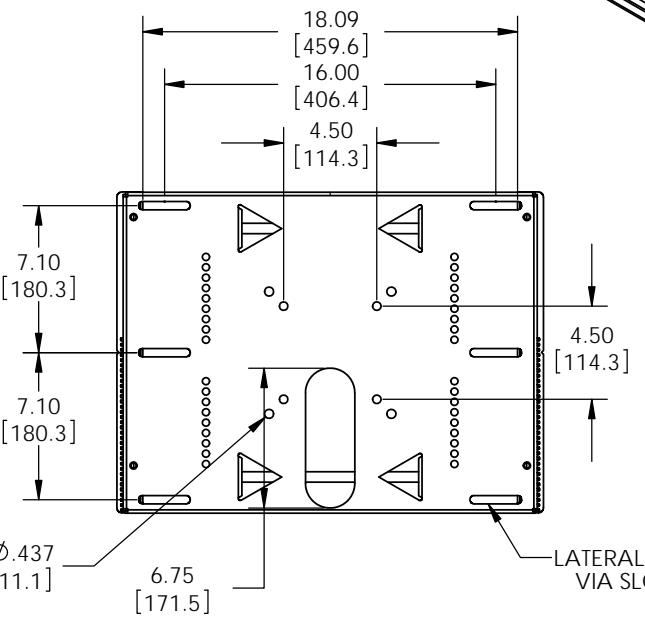
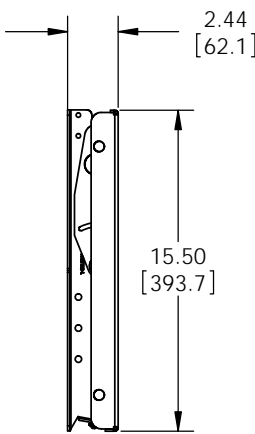
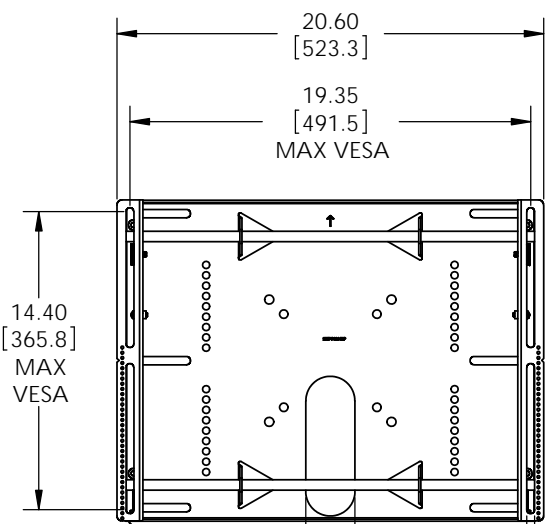
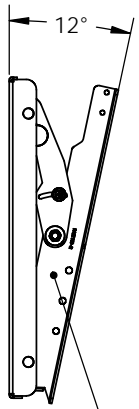
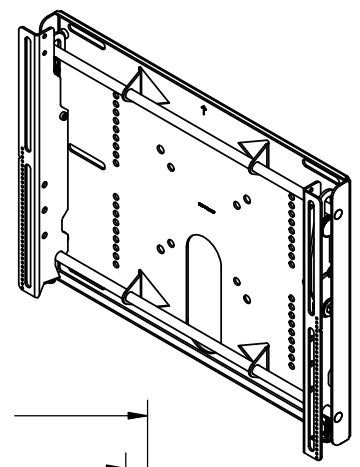
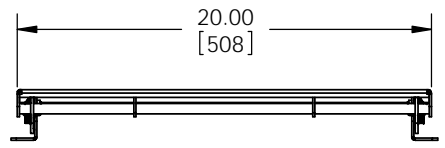


THE INFORMATION CONTAINED IN THIS DRAWING IS THE SOLE PROPERTY OF PREMIER MOUNTS DIVISION OF <PMPI>. ANY REPRODUCTION IN PART OR WHOLE WITHOUT THE WRITTEN PERMISSION OF PREMIER MOUNTS DIVISION OF <PMPI> IS PROHIBITED.




0°-12° CONTINUOUS TILT

LATERAL SHIFT VIA MOUNTING BRACKETS

LATERAL SHIFT VIA SLOTS

MOUNTS.COM

DIMENSIONS ARE IN INCH AND [MM]

|  |                     |
|--|---------------------|
|  <b>PREMIER MOUNTS</b><br><small>THE ORIGINAL MOUNT COMPANY</small> |                     |
| 1321 South State College Blvd<br>Fullerton Ca, 92831<br>P. 800.368.9700 - F. 800.832.4888  |                     |
| ITEM DESCRIPTION:<br><b>FLAT PANEL TILTING MOUNT</b>   |                     |
| SIZE<br>B  | DWG. NO.<br>CTM-MS1 |
| SCALE: 1:4   |                     |
| SHEET 1 OF 1   |                     |