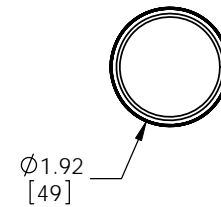
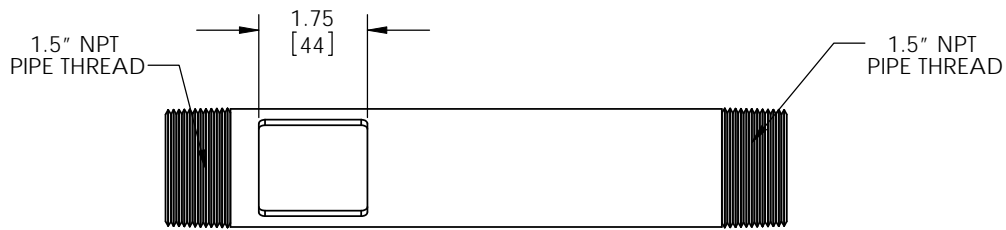
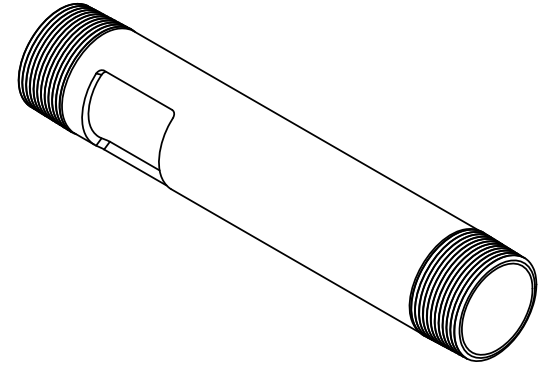
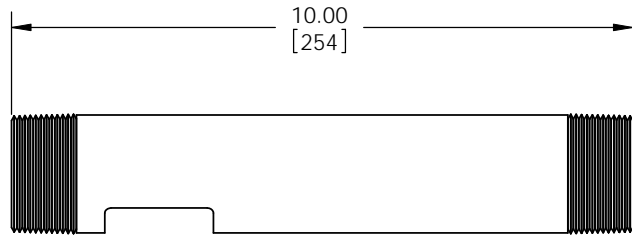


8 7 6 5 4 3 2 1

THE INFORMATION CONTAINED IN THIS DRAWING IS THE SOLE PROPERTY OF
 PREMIER MOUNTS DIVISION OF <PMPI>. ANY REPRODUCTION IN PART OR WHOLE WITHOUT
 THE WRITTEN PERMISSION OF PREMIER MOUNTS DIVISION OF <PMPI> IS PROHIBITED.



MOUNTS.COM

PREMIER MOUNTS®
 CREATING POSITIVE CUSTOMER EXPERIENCES
 3130 East Miraloma Avenue
 Anaheim, CA 92806
 P. 800.368.9700 - F. 800.832.4888

ITEM DESCRIPTION:		PWH-10	
SIZE	DWG. NO.		
B			
SCALE: 1:1		SHEET 1 OF 1	